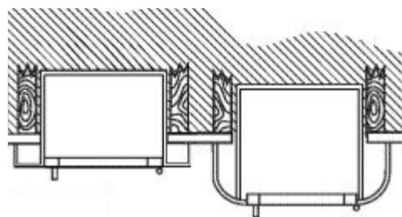
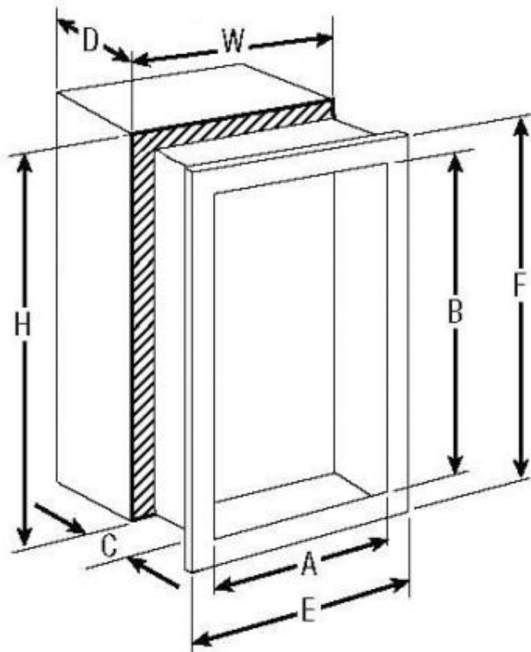


# SEMI-RECESSED TRIM SUBMITTAL : DIMENSIONS

DOOR SERIES #	Tub I.D.			Frame O.D.		Wall Opening		
	A	B	C	E	F	W	H	D
18x6	10-1/2	24	5-1/2	13 7/8	27 3/8	11 1/2	25	4 1/8
18x7	10-1/2	24	5-1/2	13 7/8	27 3/8	11 1/2	25	2 5/8
10x6	10-1/2	24	6	13 7/8	27 3/8	11 1/2	25	4 5/8
10x7	10-1/2	24	6	13 7/8	27 3/8	11 1/2	25	3 1/8
20x6	12	27	7 3/4	15 3/8	30 3/8	13	28	6 5/8



1-1/2" or 1-1/4"  
Square Trim

3" Rolled  
Trim

